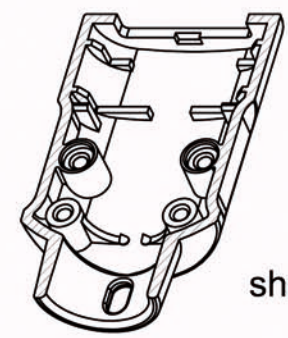
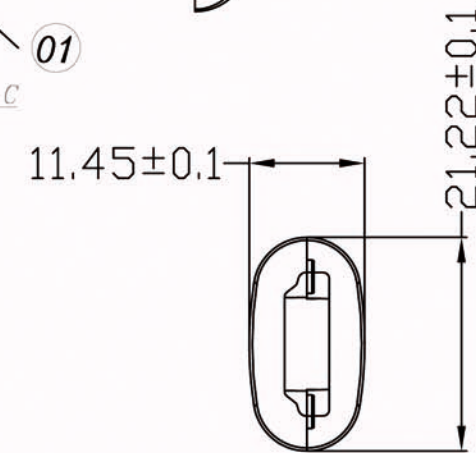
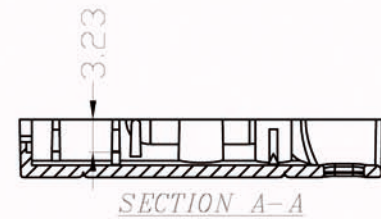
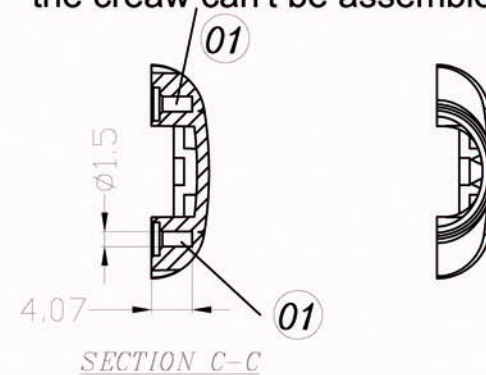
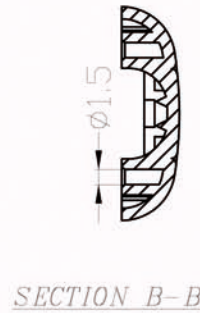
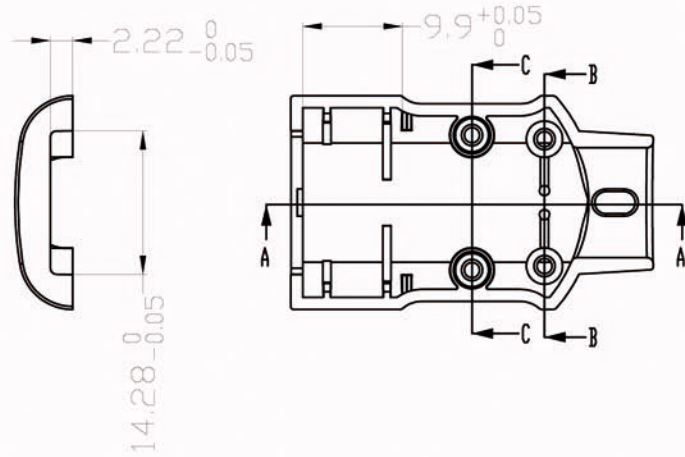
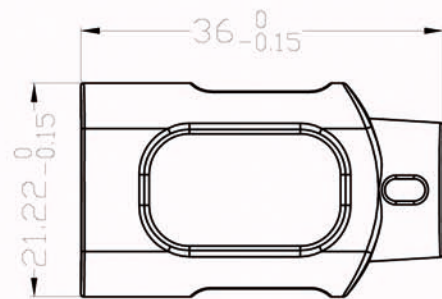


RevNo	Revision note	Date	Signature	Checked

Hole thread: M2*0.4, thread tapping to the bottom and no foreign body permitted between them, or the crew can't be assembled in place.



02 shadow parts of burr need to be repaired without throw
03 shell around together without being broken after polishing



Surface Treatment: Gun metal plating

LYNDAHL®

©Traderia GmbH 2012

Part No.	LKHMICON1	Cust Part No.	
Description	HDMI DIY Upper Shell (Nameplate)		
Scale	1:1	Drawn by	20090921
Unit: mm		Approved by	