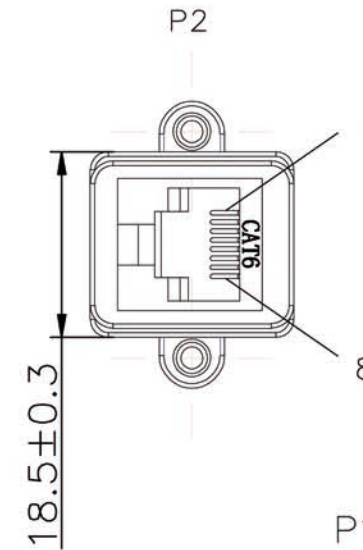
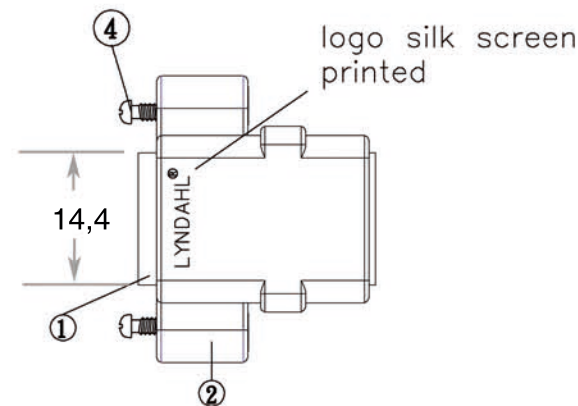
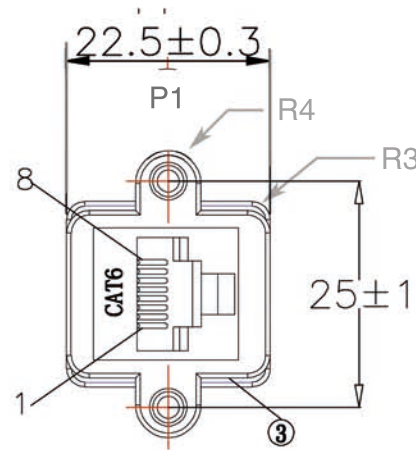
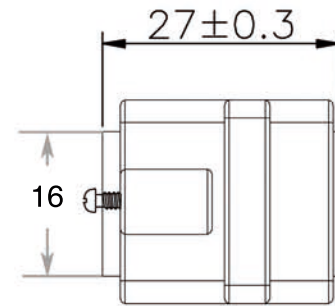


RoHS compliant

REV	MODIFICATION	DATE
A	ISSUE	2015.09.15



**PIN OUT**

P1		P2
1	—————	1
2	—————	2
3	—————	3
4	—————	4
5	—————	5
6	—————	6
7	—————	7
8	—————	8

**ELECTRONIC TEST:**

- A.OPEN/SHORT/INTERMITTENCE: 100%.
- B.HI-POT: AC 150V 0.01S
- C.INSULATION RESISTANCE:DC200V 0.01S 10MΩ(MIN)
- D.CONDUCTIVE RESISTANCE:2 OHM (MAX)

④	Screw	#4-40*15 Ni Plated	2	PCS
③	MOLDED	45P Black PVC	5	G
②	THUMB SCREW	NUT-NICKEL PLATED#4-40(10MM)	2	PCS
①	CONNECTOR	P1+P2:RJ45 8P8C FEMALE+RJ45 8P8C FEMALE: Gold Flash Contacts,black insulation	1	PCS
NO	NAME	SPECIFICATIONS	Q'TY	UNIT

Ltemref	Quantity	Title/Name,designation,material,dimension etc			Article No./Reference	
Designed by ACHY	Checked by NIKE	Approved by - date Sep 15th,2015	File name CAT6 Adaptor	Date Sep. 15,2015	Scale FREE	
ANGLE:	<b>LYNDAHL</b> <sup>®</sup>		CAT6 Adapter			
UNIT:MM	© Traderia GmbH 2015		LKPA-014	Edition 1	Sheet 1/1	